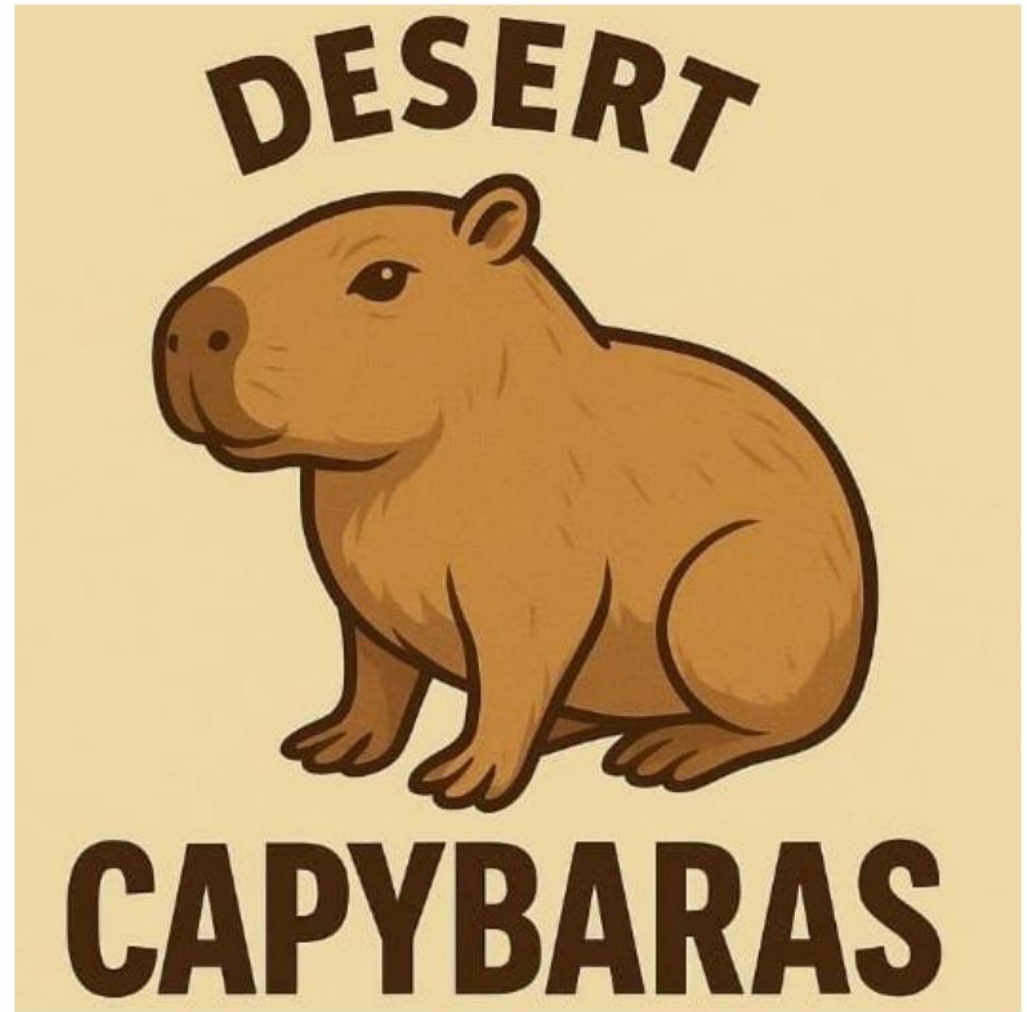
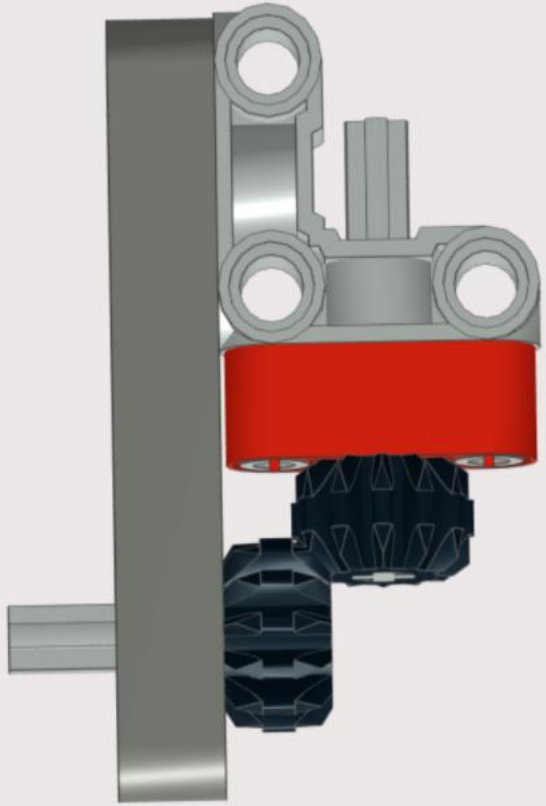
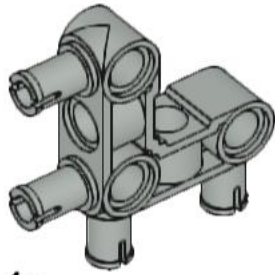


Tooth 12 to same 90 degrees

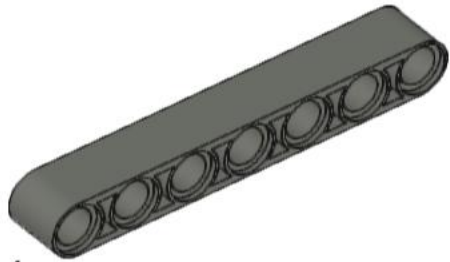




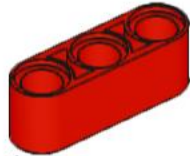
2x
32270
Black



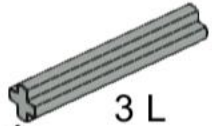
1x
55615
Light Gray



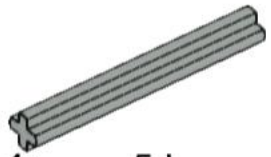
1x
32524
Dark Bluish Gray



1x
32523
Red

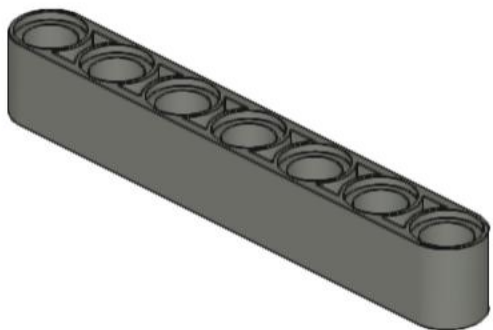
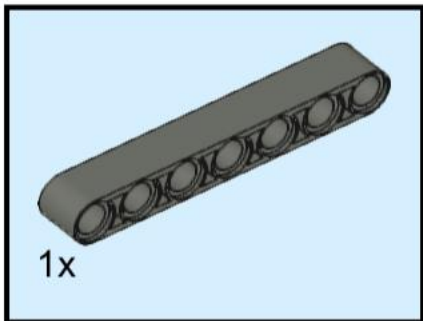


1x 3 L
4519
Light Gray

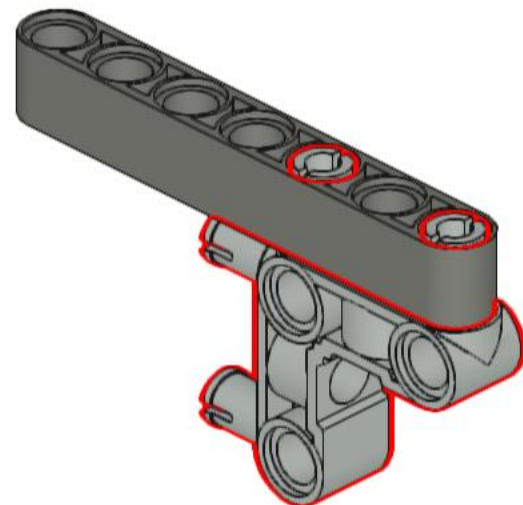
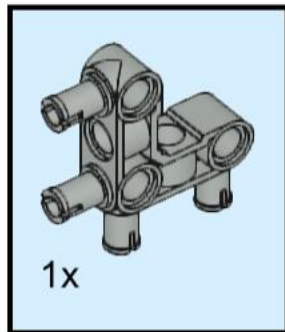


1x 5 L
3705
Light Gray

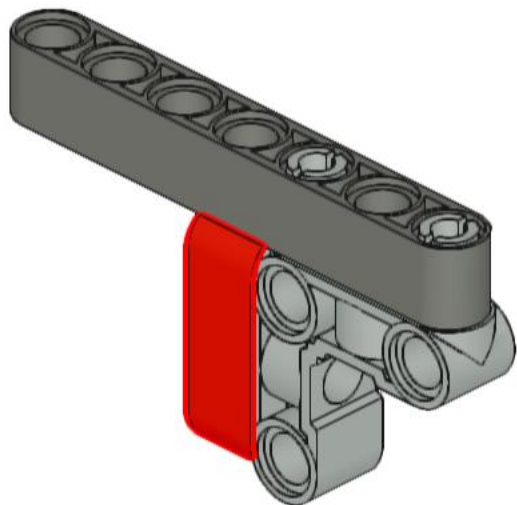
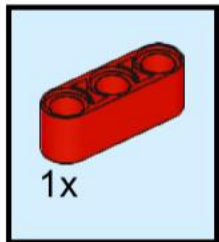
1



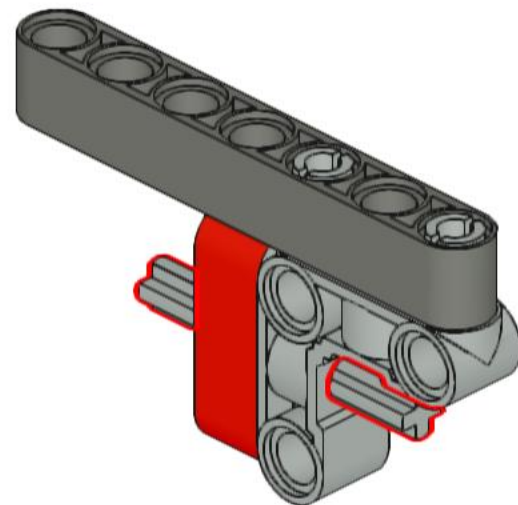
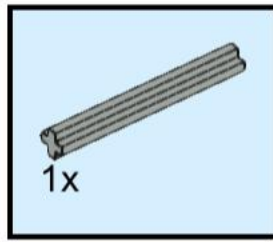
2



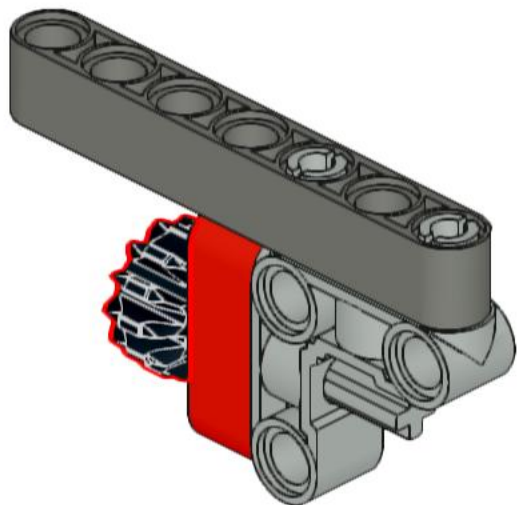
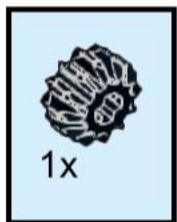
3



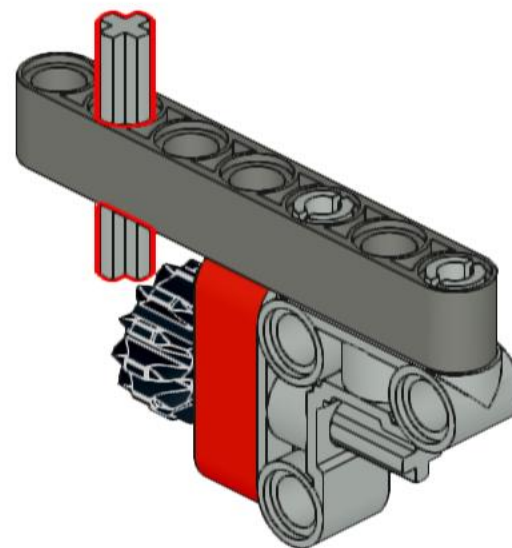
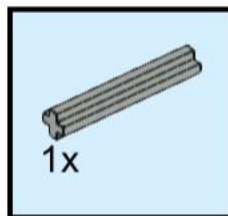
4



5



6



7

