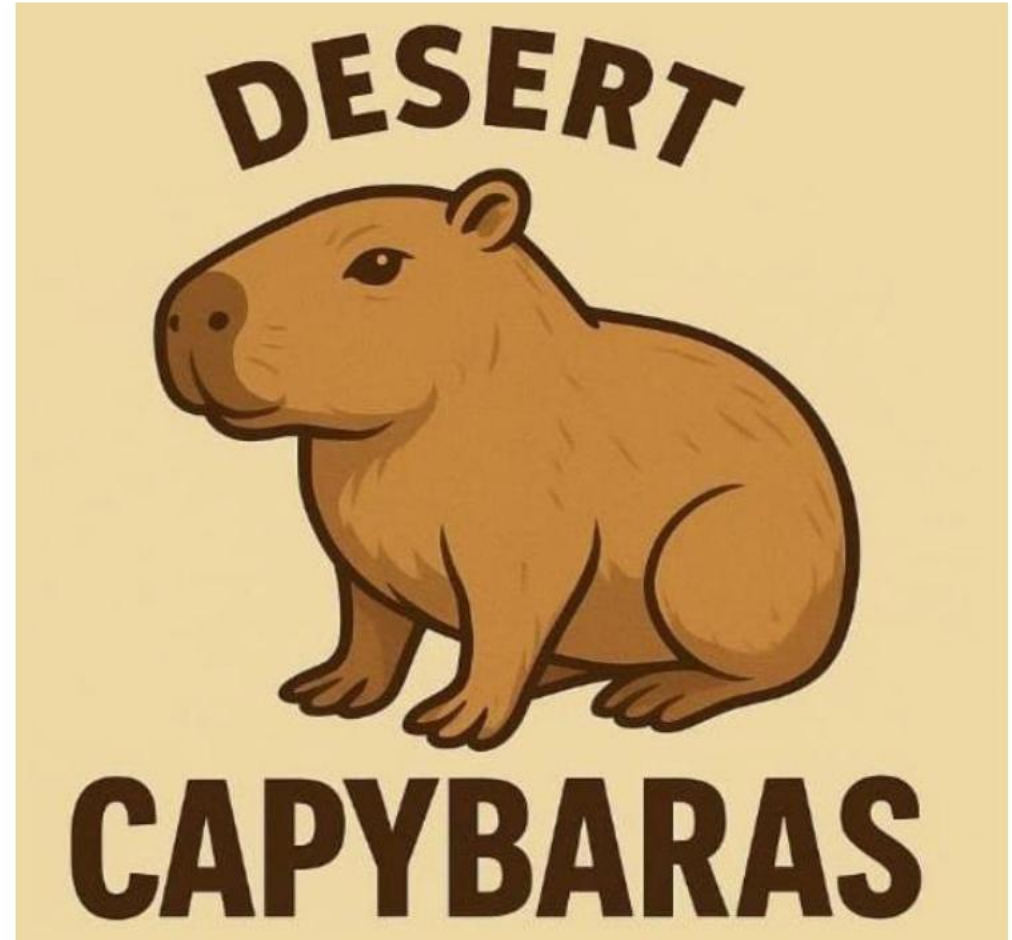
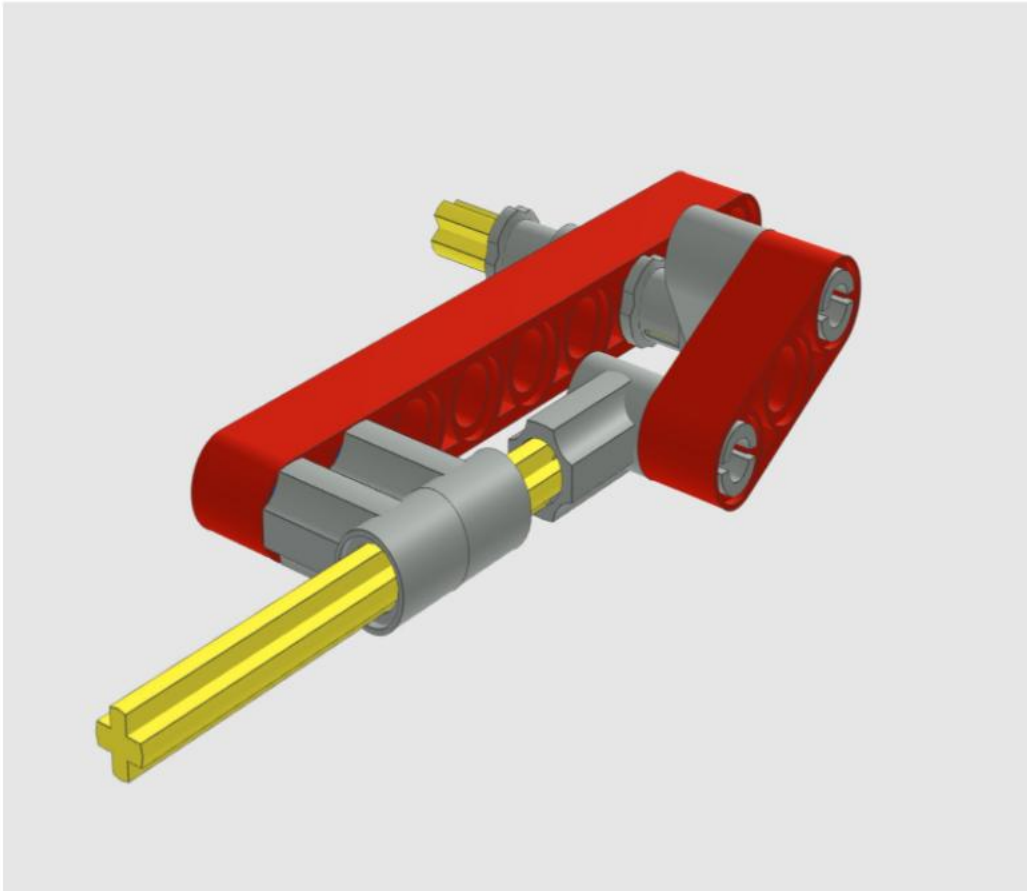
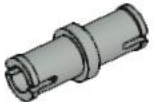


Linear forward and backward





2x
3713
Light Gray



2x
3673
Light Gray



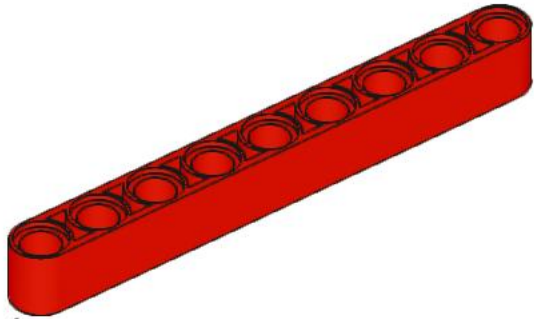
1x
60483
Light Gray



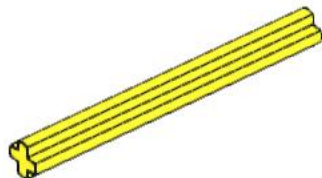
3x
32013
Light Gray



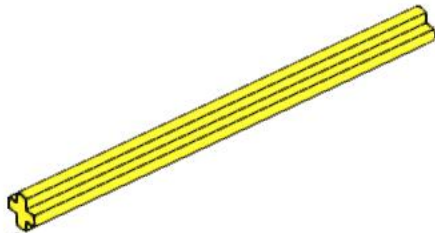
1x
32523
Red



1x
40490
Red



1x
32073
Bright Light Yellow

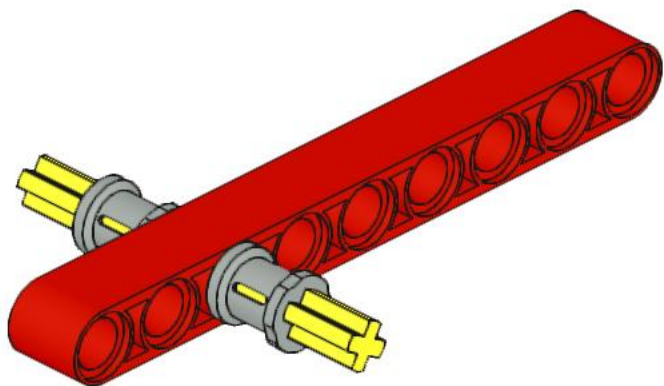
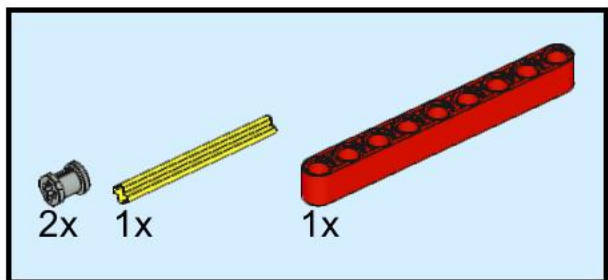


1x
44294
Bright Light Yellow

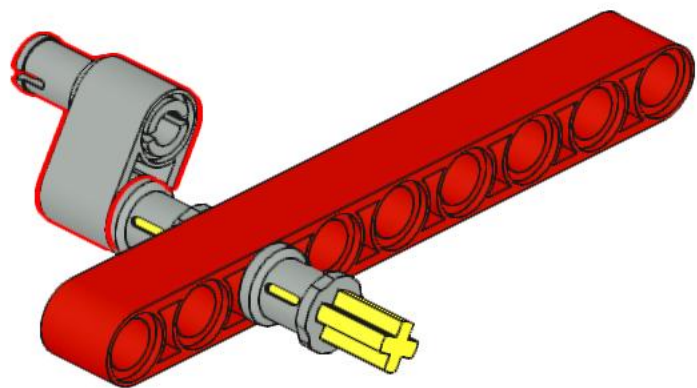
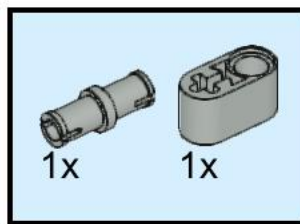


2x
3749
Blue

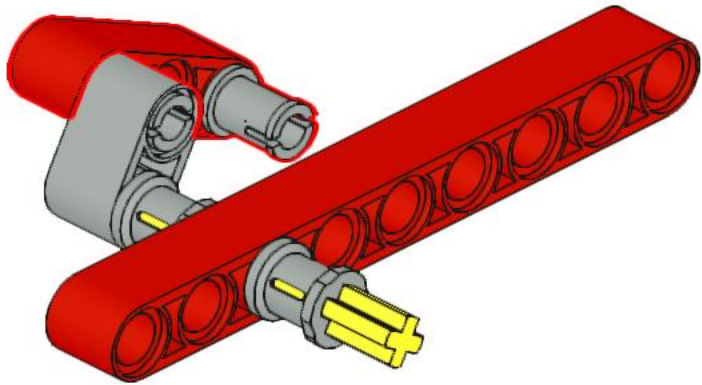
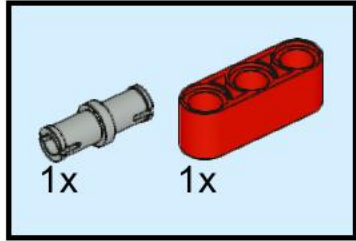
1



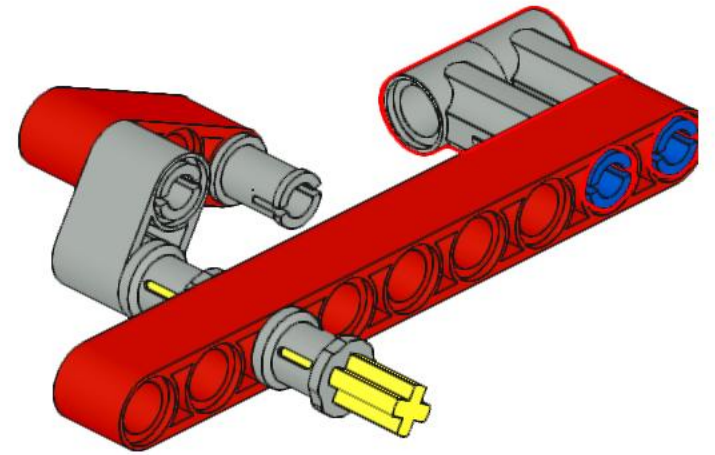
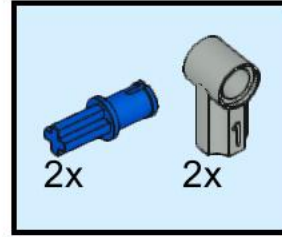
2



3



4



5

